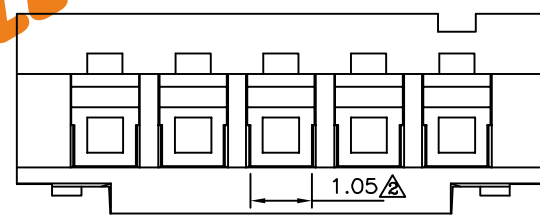
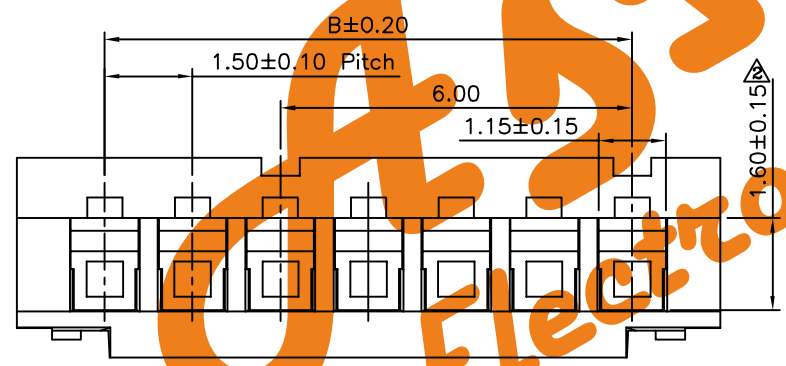
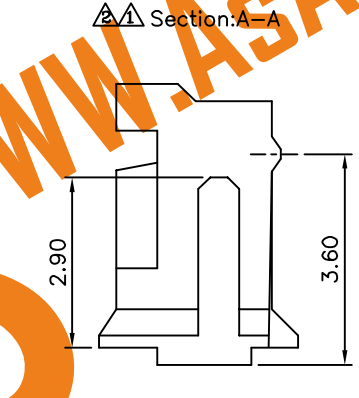
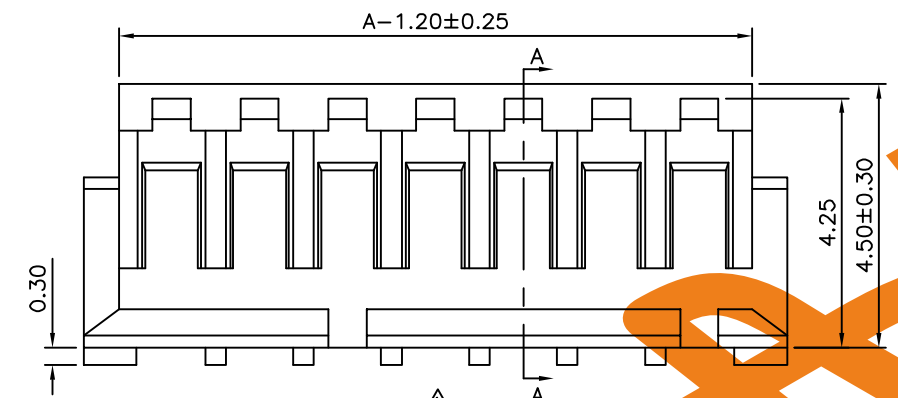


**△ SPECIFICATION**  
 Current Rating:1A AC/DC  
 Voltage Rating:50V AC/DC  
 Withstanding Voltage:500V AC/Minute  
 Contact Resistance:20 Milliohms Max.  
 Insulation Resistance:500 Megohms Min.  
 Temperature Range:-25°C~+85°C  
 Material:PA66(UL94V-0),Nature  
 RoHS Compliant



Pin	A	B
02	4.50	1.50
03	6.00	3.00
04	7.50	4.50
05	9.00	6.00
06	10.5	7.50
07	12.00	9.00
08	13.50	10.50
09	15.00	12.00
10	16.50	13.50
11	18.00	15.00
12	19.50	16.50
13	21.00	18.00
14	22.50	19.50

△ 06~14 Pin △

△ 02~05 Pin △

**AsA Electronic**  
 WWW.AsA-Elec.com  
 AsA Electronic Co.  
 Tel : (+98) 21 66 73 56 82 Mob : (+98) 912 03 161 02

Telegram:  
 09396994470

APPROVED BY EMILY  
 CHECKED BY H.Z  
 DRAWING BY GAO  
 UNIT mm  
 REV. A2

UNLESS OTHERWISE SPECIFIED TOLERANCES ARE  
 X ±0.25  
 .XX ±0.20  
 .XXX ±0.10  
 X ±2  
 XX ±1

NO.	REV.	REVISIONS	CHK	DATE
△ A2		Modify Data	HZF	03/07/2013
△ A1		Modify Data	HZF	05/28/2010
△ A0		NEW RELEASE	HZF	2004/10/07

SCALE NONE